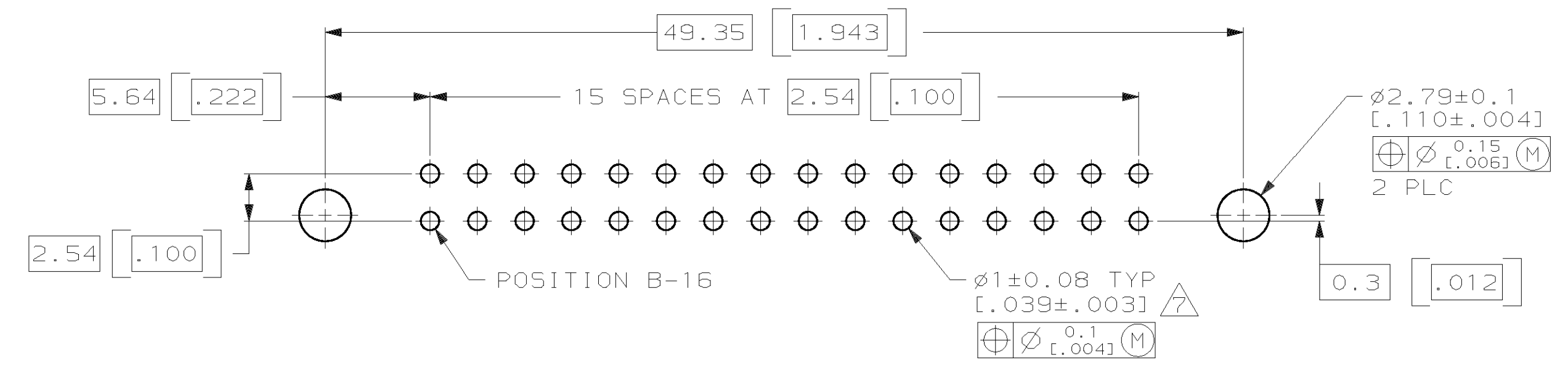
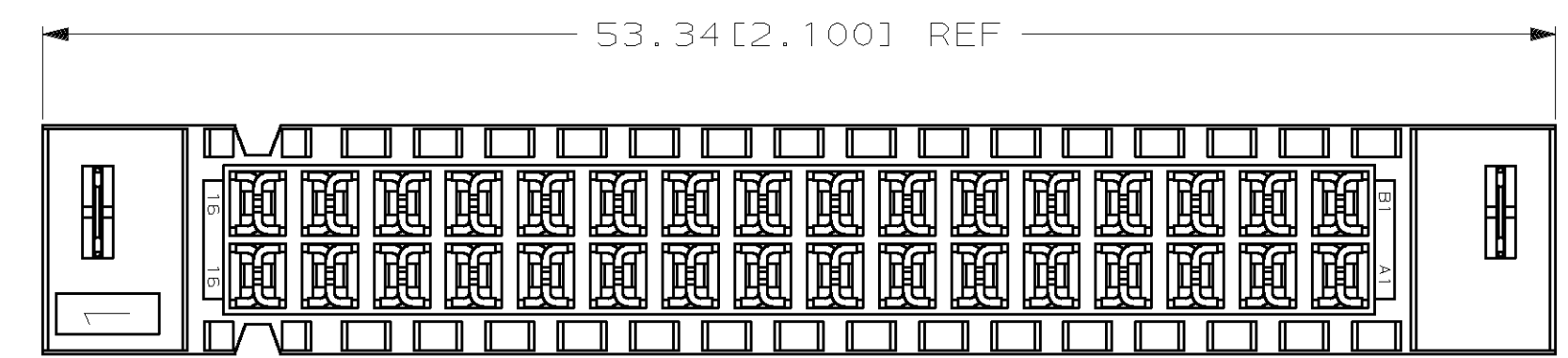
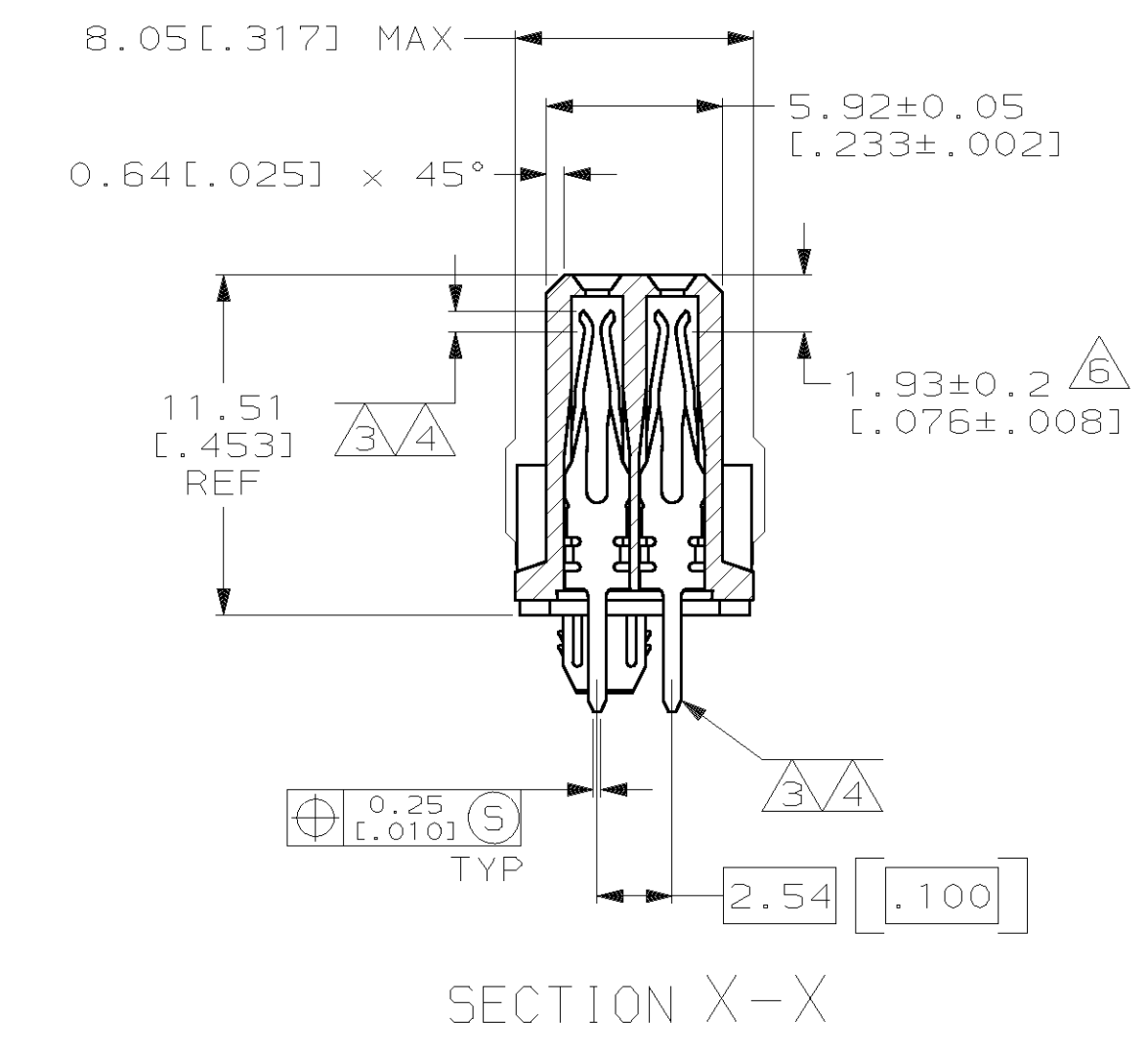
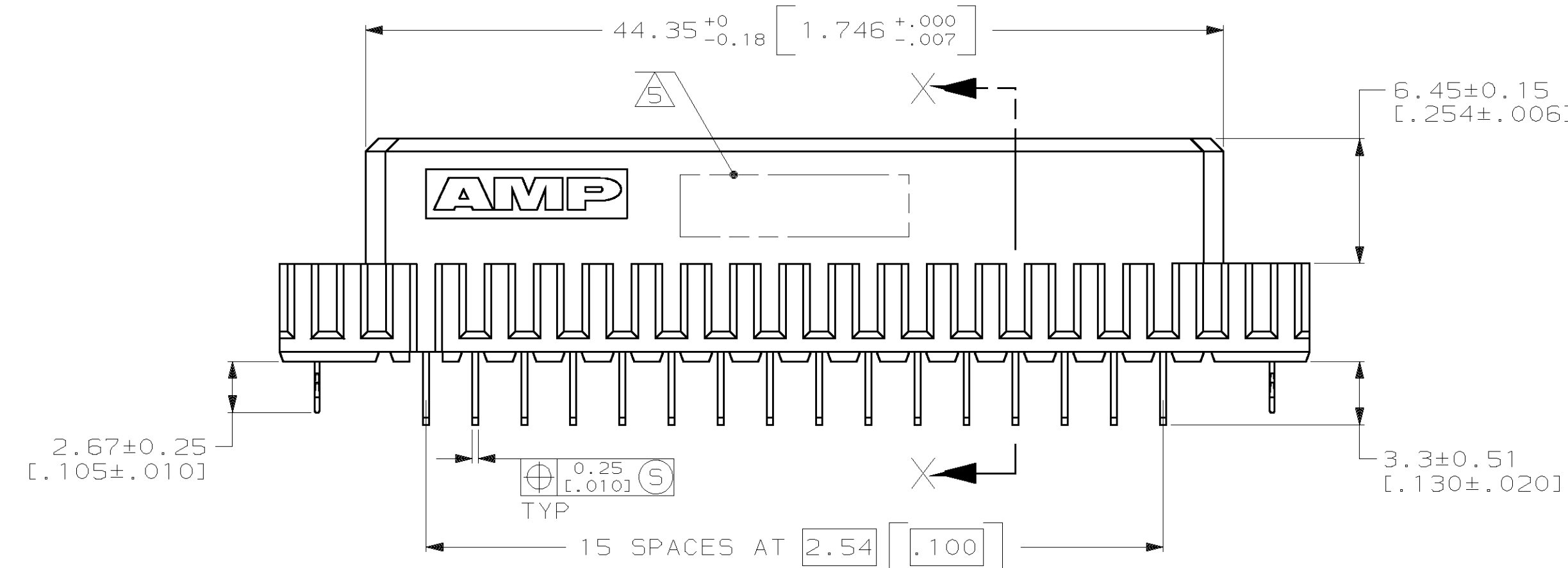
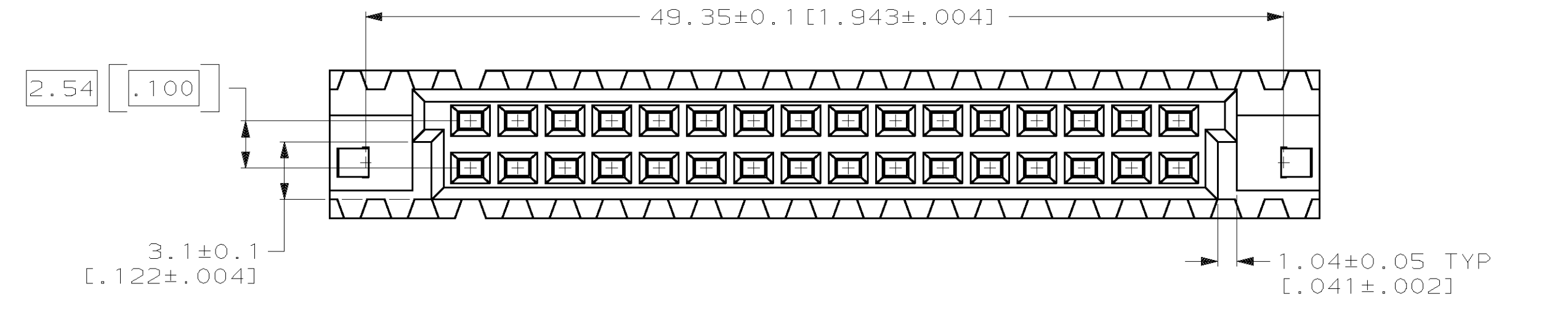


LOC	DIST	P	F	ZONE	LTR	DESCRIPTION	DATE	APPD
AD	25					REVISIONS		
						0 DRAWN	-	-
						A EC 0010-1437-95	1/11/96	CR
						B EC 0010-1488-95	4/1/96	CR
						C EC 0504-0087-96	11/18/96	CR
						D REV PER EC 001B-0391-00	10 JAN 01	CR

- ① HOUSING MATERIAL: GLASS-FILLED POLYESTER. COLOR: GRAY.
- ② CONTACT MATERIAL: PHOSPHOR BRONZE.
- ③ CONTACT FINISH: DIN 41612 CLASS 2 IN CONTACT AREA. TIN-LEAD ON POSTS.
- ④ CONTACT FINISH: DIN 41612 CLASS 3 IN CONTACT AREA. TIN-LEAD ON POSTS.
- ⑤ PART NUMBER, DATE CODE IDENTIFICATION, CSA LOGO IN THIS APPROXIMATE AREA ON OPPOSITE SIDE SHOWN.
- ⑥ CONTACT POINT.
- ⑦ RECOMMENDED HOLE SIZE FOR MANUAL APPLICATION OF CONNECTOR ONTO PC BOARD.



SUPERSEDED BY 536460-5	④	1-16	X	X	32	536460-9
	④	1-16	X	X	32	536460-5
SUPERSEDED BY 536460-5	④	1-16	X	X	32	536460-4
POSITIONS LOADED		B	A	NO. OF LOADED POSITIONS		ASSY PART NUMBER

		PART NO		
DO NOT SCALE PRINT. UNLESS SPECIFIED DIMENSIONS IN mm [INCHES]	DR L. BRINER 10/28/92	AMP Incorporated Harrisburg, PA 17105-3608		
TOLERANCES ON:	CHK R. PATTERSON 12/11/92			
1 PLC DEC ± -	APPD R. PATTERSON 12/11/92	NAME RECEPTACLE ASSEMBLY, EUROCARD, TYPE "B" WITH BOARD-LOCKS		
2 PLC DEC ± 0.13 [.005]	APPD D.C. RUBENDALL 12/11/92			
ANGLES ± -	PRODUCT SPEC -	SIZE D	CAGE CODE 00779	DRAWING NO C-536460
MATERIAL	APPLICATION SPEC -	WEIGHT -	SCALE 4:1	SHEET 1 OF 1
HSG: ④ -				
CONT: ④				
FINISH				
CONT: ④/④				

THIS DRAWING IS A CONTROLLED DOCUMENT FOR AMP INCORPORATED. IT IS SUBJECT TO CHANGE AND THE CONTROLLING ENGINEERING ORGANIZATION SHOULD BE CONTACTED FOR THE LATEST REVISION.